

The JBL logo is displayed in white, bold, sans-serif capital letters on a solid orange rectangular background.

TLX105, TLX121,
TLX151, TLX171,
TLX181
simple
set-up guide

thank you for choosing JBL. For over 50 years, JBL has been involved in every aspect of musical and film recording and reproduction, from live performances to monitoring the recordings you play in your home, car, or office.

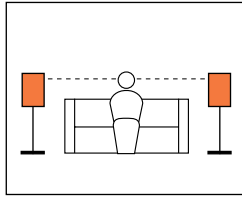
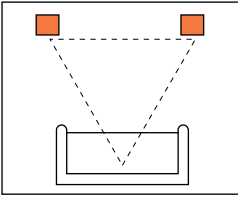
We're confident that the **JBL loudspeakers** you have chosen will provide every note of enjoyment that you expected – and that when you think about purchasing additional audio equipment for your home, car, or office, you will once again choose JBL.

Please take a moment to complete the enclosed profile card. It enables us to keep you posted on our latest advancements, and helps us to better understand our customers and build products that meet your needs and expectations.

JBL Consumer Products

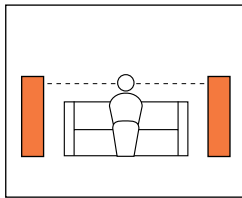
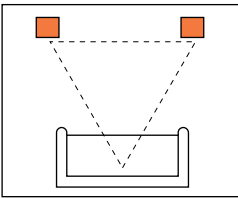
one. Speaker Placement

TLX105, TLX121, TLX151



Tweeters should be at ear level.

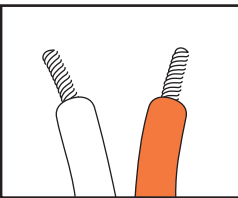
TLX171, TLX181



Tweeters should be at ear level.

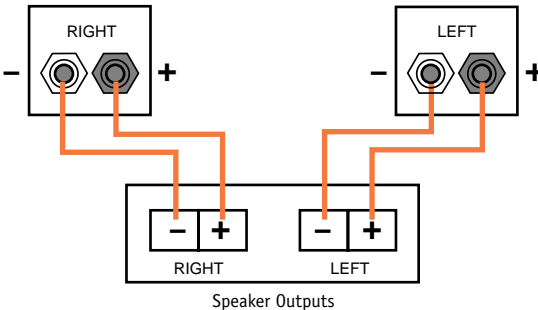
two. Speaker Connections

Connection Tips



Speakers and electronics terminals have corresponding (+) and (-) terminals. It is important to connect both speakers identically: (+) on the speaker to (+) on the amplifier and (-) on the speaker to (-) on the amplifier. Wiring "out of phase" results in thin sound, weak bass and a poor stereo image.

(-) on the speaker to (-) on the amplifier. Wiring "out of phase" results in thin sound, weak bass and a poor stereo image.



Speaker Outputs

Troubleshooting

If there is no sound from any of the speakers, check the following:

- Receiver/amplifier is on and a source is playing.
- Review proper operation of your receiver/amplifier.

If there is no sound coming from one speaker, check the following:

- Check the "Balance" control on your receiver/amplifier.
- Check all wires and connections between receiver/amplifier and speakers.
- Make sure all wires are connected. Make sure none of the speaker wires are frayed, cut or punctured.

If the system plays at low volumes but shuts off as volume is increased, check the following:

- Check all wires and connections between receiver/amplifier and speakers.
- Make sure all wires are connected. Make sure none of the speaker wires are frayed, cut or punctured.
- If more than one pair of main speakers is being used, check the minimum impedance requirements of your receiver/amplifier.

If there is low bass output, check the following:

- Make sure the polarity (+ and -) of the left and right "Speaker Inputs" are connected properly.

Declaration of Conformity



We, JBL Europe A/S
Køgevejen 194B
DK-3460 Birkerød
DENMARK

declare in own responsibility, that the products described
in this owner's manual are in compliance with technical
standards:

EN 50 081-1/1992
EN 50 082-1/3.1995


Steen Michaelsen
JBL Europe A/S
Birkerød, DENMARK, 3197

Specifications

SYSTEM TLX105
Frequency Response (-6dB): 75Hz – 20kHz
Recommended Maximum Power Handling*: 50 watts
Sensitivity @ 1 watt/1 meter: 86dB
Normal Impedance: 8 ohms
Crossover Frequency: 2200Hz
Woofer: 5-1/4"
Midrange: N/A
Tweeter: 2"
Finish: black ash woodgrain vinyl
Dimensions (HxWxD): 11 x 6-1/2 x 7-1/4"
280 x 165 x 184mm
Weight (each): 7 lbs/3.2 kg

SYSTEM TLX151
Frequency Response (-6dB): 50Hz – 25kHz
Recommended Maximum Power Handling*: 125 watts
Sensitivity @ 1 watt/1 meter: 90dB
Normal Impedance: 8 ohms
Crossover Frequency: 600Hz, 3000Hz
Woofer: 8"
Midrange: 4"
Tweeter: 10mm titanium laminate
Finish: black ash woodgrain vinyl
Dimensions (HxWxD): 20-7/8 x 9-7/8 x 12"
530 x 250 x 305mm
Weight (each): 21.25 lbs/9.5 kg

SYSTEM TLX181
Frequency Response (-6dB): 30Hz – 25kHz
Recommended Maximum Power Handling*: 200 watts
Sensitivity @ 1 watt/1 meter: 90dB
Normal Impedance: 8 ohms
Crossover Frequency: 600Hz, 3000Hz
Woofer: 10" with 10" passive radiator
Midrange: 4" frame
Tweeter: 10mm titanium laminate
Finish: black ash woodgrain vinyl
Dimensions (HxWxD): 37-3/8 x 11-3/4 x 12-7/16"
950 x 300 x 315mm
Weight (each): 43 lbs/19.5 kg

TLX121
55Hz – 25kHz
75 watts
89dB
8 ohms
3000Hz
6-1/2"
N/A
10mm titanium laminate
black ash woodgrain vinyl
13-3/4 x 7-7/8 x 9-5/8"
350 x 200 x 245mm
10.5 lbs/4.8 kg

TLX171
35Hz – 25kHz
150 watts
90dB
8 ohms
600Hz, 3000Hz
8"
4" cast frame
10mm titanium laminate
black ash woodgrain vinyl
33-7/8 x 10-1/4 x 12-7/16"
860 x 260 x 315mm
35.25 lbs/16 kg

*The maximum recommended amplifier power rating will ensure proper system head-room to allow for occasional peaks. We do not recommend sustained operation at these maximum power levels.

Occasional refinements may be made to existing products without notice, but will always meet or exceed original specifications unless otherwise stated.



JBL



JBL Consumer Products
80 Crossways Park West, Woodbury, NY 11797
8500 Balboa Boulevard, Northridge, CA 91329
1-800-336-4JBL (4525) (USA only)
www.jbl.com

© 1997 JBL, Incorporated.
JBL is a registered trademark of JBL, Incorporated.
Printed in USA 3/97
♻️ Part No. TLX0M

H A Harman International Company